

Vacuum system Euskan VSB 500 M



Model:	VSB 500 M
Fish Transfer Capacity:	Life fish up to 4 kg
Tank capacity:	500 L (stainless steel)
Max. Total head:	8 m (suction + discharge)
Compressor:	7,5 kW – 50 Hz
Power Supply:	3 x 400 V 50 Hz
Water Supply:	10 l/min
Capacity:	70 m ³ /hour

Commentary:

The system is built in mobile design.

There is a control box with start/stop and manual change-over of pumping cycle.

Including level sensor for automatic operation (changing cycle between filling and emptying).

Emptying cycle is based on a timer.

Standard set includes: 8" (200 mm) suction nose for life fish, double separate outlet valve 8" (200 mm) and 4 pc. 8" (200 mm) hose clips.

There is a closed hydraulic power pack for operating the 4 way valve.

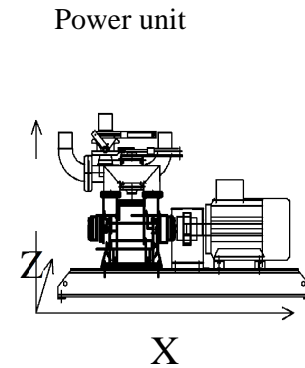
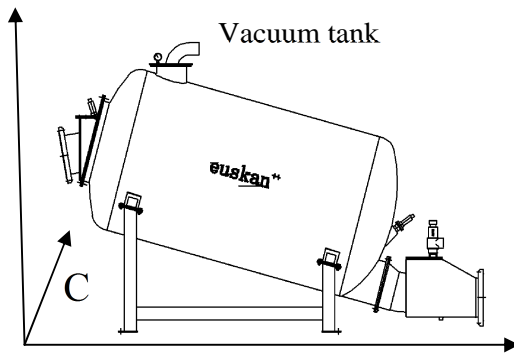
The system is approved.

The system is prepared for remote control with cable (optional).

Quick couplings on in- and outlet are included (optional).

www.nordicmarine.net

Main Vacuum Systems dimensions for breeding



Vacuum tank dimensions

Volume	250 L	500 L	1000 L	1500 L	2000 L	3000 L	4500 L
- (mm)	1250	1650	1850	2350	2250	3000	3500
- (mm)	1050	1300	1750	1900	2100	2300	2500
- (mm)	600	750	1050	1050	1300	1300	1500
In/Out (mm)	150	200	250	250 (300)	300	300 (350)	350

Power	7,5 kW	11 kW	15 kW	30 kW	37 kW	55 kW
X- (mm)	1250	1250	1250	1900	1900	1900
Y- (mm)	900	900	900	1150	1150	1150
Z- (mm)	400	400	400	600	600	600

Power unit dimensions

www.nordicmarine.net