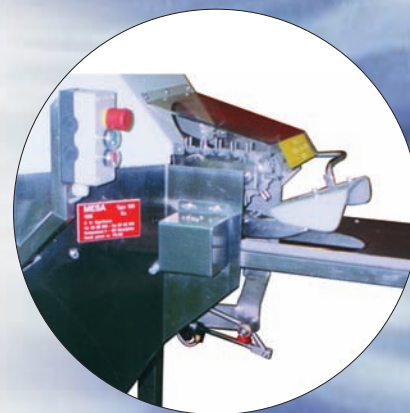
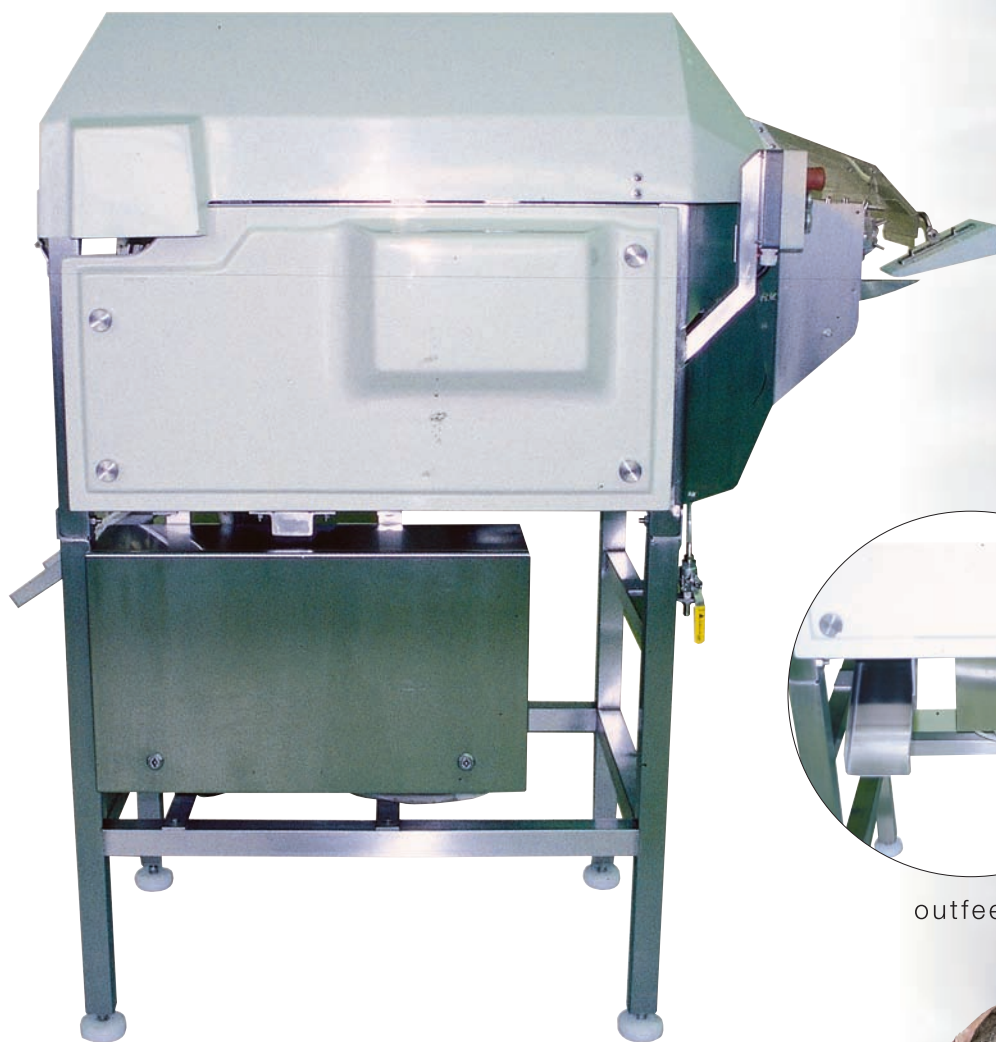


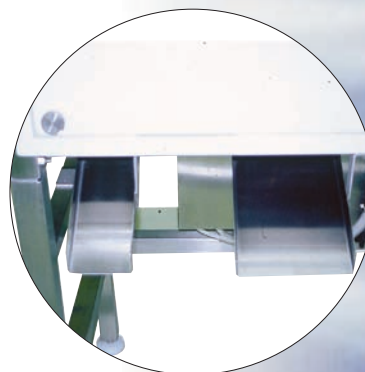
# FISH HEAD PROCESSING MACHINES

## TONGUE AND CHEEK MACHINE

# MESA 900



infeed



outfeed

### Efficient production of valuable products

MESA 900 processing machine for fish heads cuts from the head cheeks and tongues which exit the machine via separate chutes while the offal falls down a chute at the rear of the machine. The machine processes all medium sizes of heads without special adjustments. MESA 900 has variable speed for sending the heads through the machine and is therefore easy to fit into the processing line with other machines.

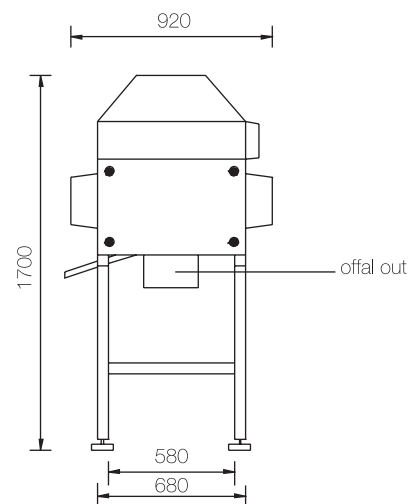
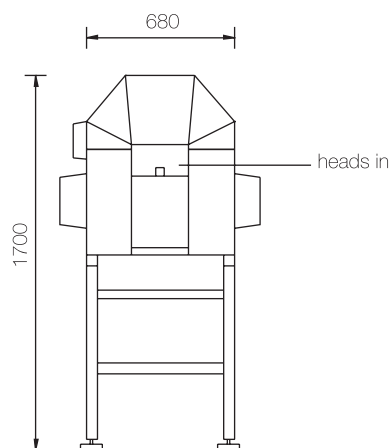
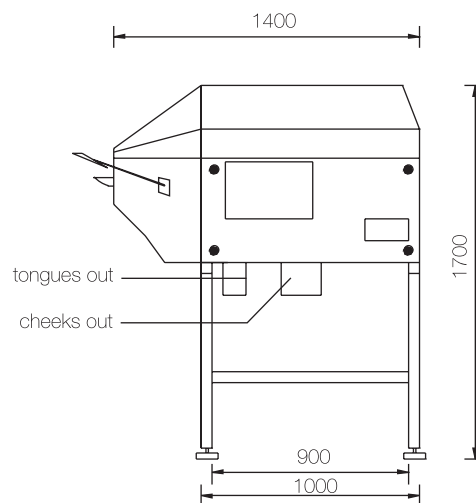
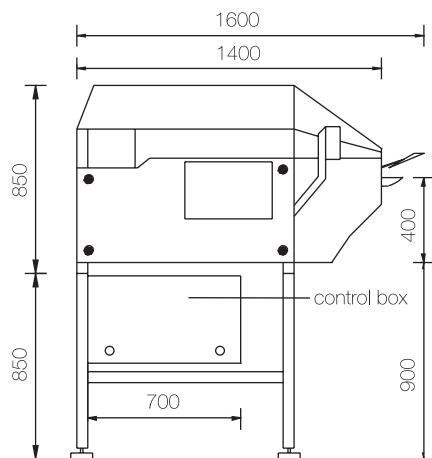


Cheeks and tongues from cod heads.



# MESA 900

## TONGUE AND CHEEK MACHINE



**MESA**  
Á. M. SIGURÐSSON ehf.

Hvaleyrarbraut 2  
220 Hafnarfjörður - Iceland  
Phone: +354 565 2546  
Fax: +354 565 2548  
E-mail: mesa@mesa.is  
URL: <http://www.mesa.is>

### Technical information:

Material: Stainless steel and plastics  
Height: 1700 mm  
Width: 1000 mm  
Length: 1400 mm  
Weight: 250 kg  
Power: 4,5 kW  
Voltage: 220/380 V  
Air requirements: 300 l/min at 8 bar

