

Vacuum system for dead fish Euskan VS 1500



Model:	VS 1500
Tank capacity:	1500 L
Max. Suction height:	9 m
Max. Pressure height:	18 m
Compressor:	Samson KS510 22 kW – 50 Hz
Power Supply:	3 x 400 V 50 Hz
Water Supply:	20 l/min, 2 bar
Capacity:	160 m ³

Commentary:

Vacuum tank in stainless steel with 10'' (250 mm) in- and outlet with non-return valve. The in- and outlet is designed with "easy change of flapper system" for quick inspection/ changing of the flapper valves.

The tank has lower and upper level sensor for automatic control of filling and emptying.

Flow-watch for controlling supply water with automatic shut down by cooling supply water failure.

Control panel with full PLC, touch screen with changeable language, user menu can set up the work of the vacuum pump.

Closed hydraulic power pack for controlling all valves.

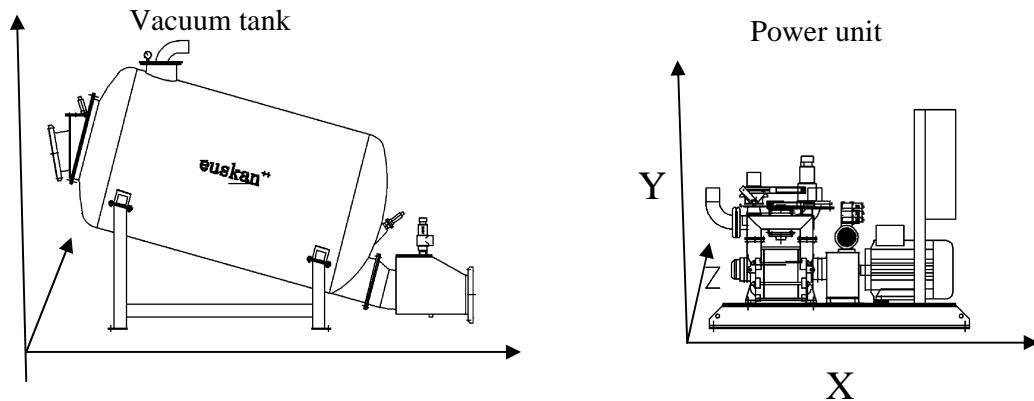
The vacuum system is CE-approved

Advanced options:

- Wireless remote control with the following functions: Start, Stop, Standby.
- Quick couplings on in- and outlet.
- Double operation kit (for parallel operation of 2 vacuum systems).
- Upgrading from 10'' (250 mm) to 12'' (300 mm).

www.nordicmarine.net

Main Dimensions of Vacuum Systems



Vacuum tank dimensions

Volume	250 L	500 L	1000 L	1500 L	2000 L	3000 L	4500 L
A ()	1500	2000	2250	2750	2750	3500	3700
B ()	1050	1300	1750	1900	2100	2300	2500
C ()	600	750	1050	1050	1300	1300	1500
In/Out	150	200	250	250	300	300	350

Power	7,5 kW	11 kW	15 kW	22 kW	37 kW	55 kW	75 kW
X ()	1250	1250	1250	1900	1900	1900	2400
Y ()	1400	1400	1400	1600	1600	1600	2000
Z ()	400	400	400	600	600	600	900

Power unit dimensions

www.nordicmarine.net